



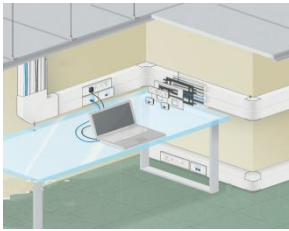
CABLE MANAGEMENT SYSTEMS

Trunking

DLP U-PVC



Perimeter Solution



Range – 80 x 50



Range – 105 x 50



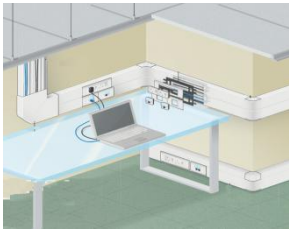
Range – 150 x 50



Range – 195 x 50



Perimeter Solution



Range - Features

U PVC DLP Trunking

- 80 x 50 mm

U PVC DLP Trunking

- 105 x 50 mm

U PVC DLP Trunking

- 150 x 50 mm

U PVC DLP Trunking

- 195 x 50 mm

- Flexible system to adapt to every kind of wall-building configuration

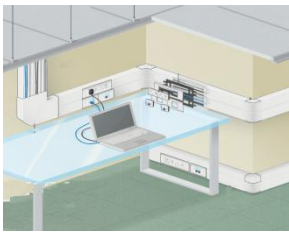
- A new aesthetics, Colour : RAL 9003 brilliant white

- A RoHS product = lead free product.

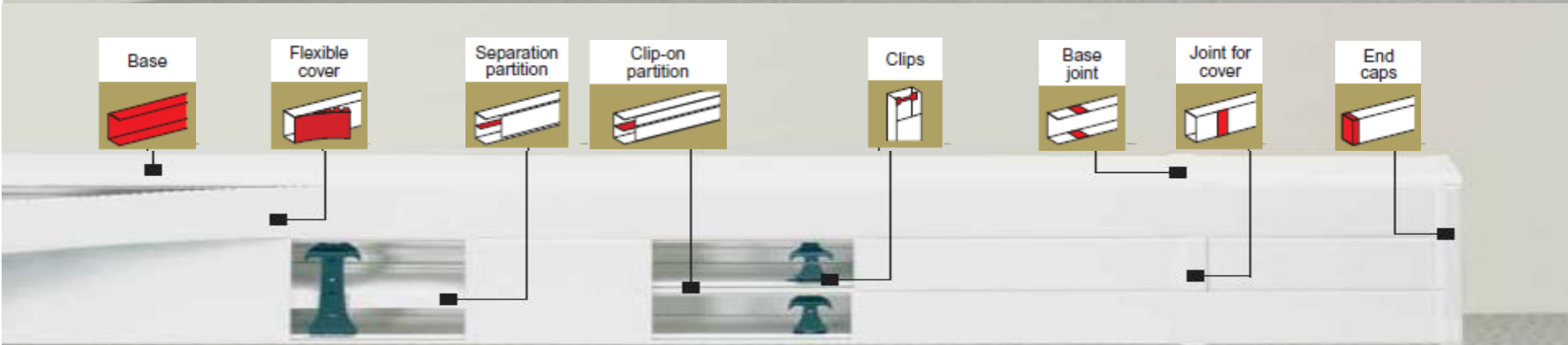
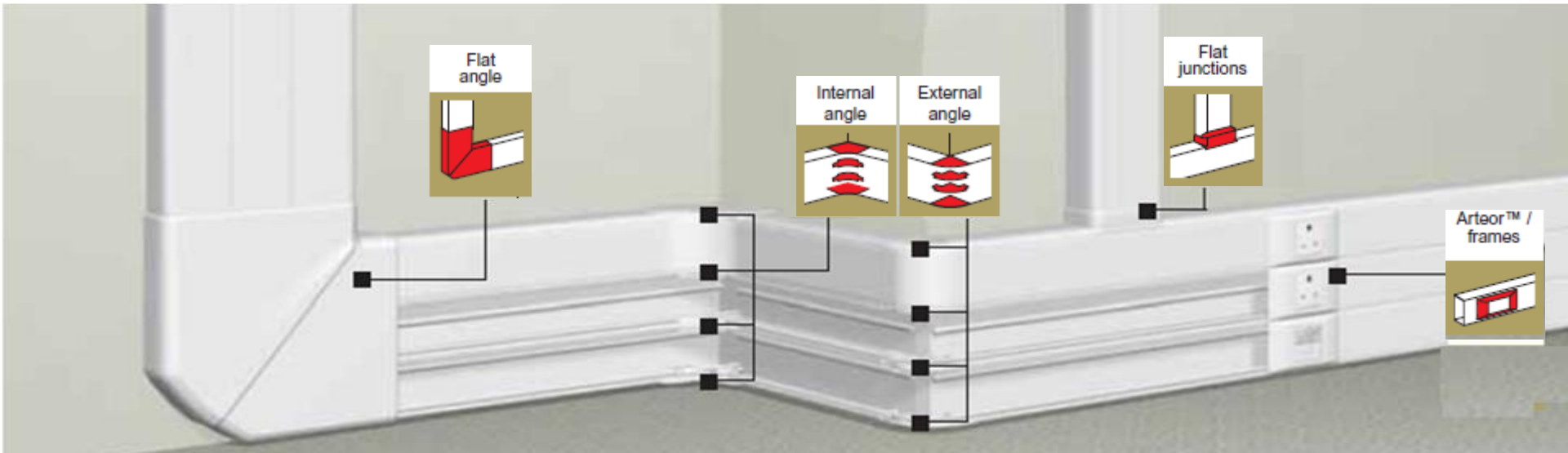
- High resistance against UV to limit the change of the color during the life of the installation

- Non Flame Propagating; Material : high impact self-extinguishing PVC

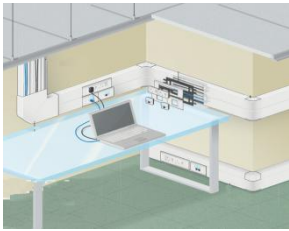
Perimeter Solution



Various Parts of DLP Trunking



Perimeter Solution



Features - Flexible Cover



- The flexible cover is clipped to the trunking for its entire length, even at corners !

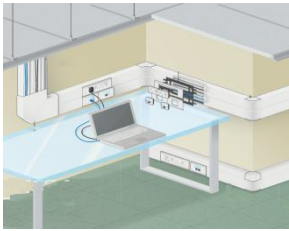
- Easy removal of cover in case of maintenance

- Easy assembly and adapted for non-skilled people

- 30% Time Saving. No quality cut needed, Less Cutting.



Perimeter Solution



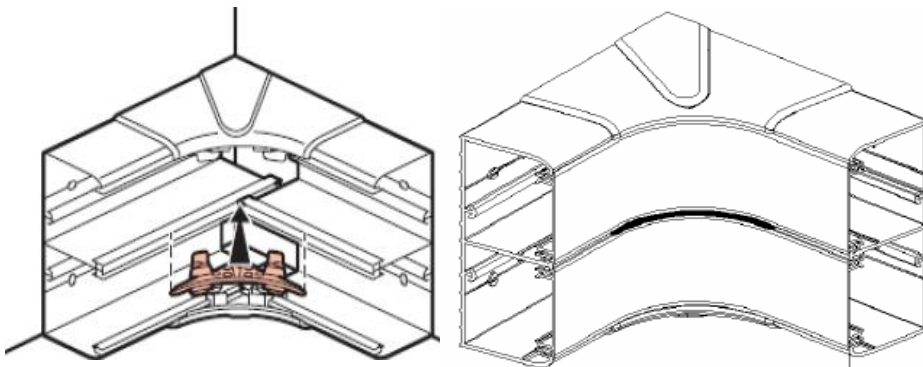
Features - Internal Angle

- Easy Clipping
- Internal angle can be adjusted form 80 deg- 100 deg.

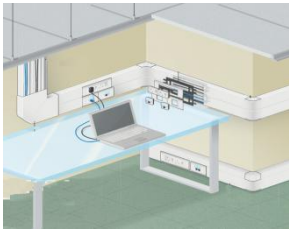


- White Color RAL 9003

- The internal angles ensure the continuity of the flexible cover on the angles and do not require cut of cover, and keep aesthetics

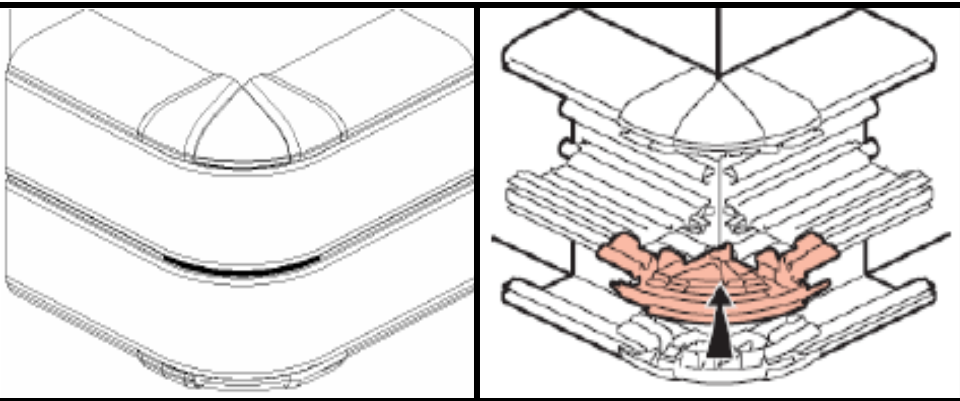


Perimeter Solution



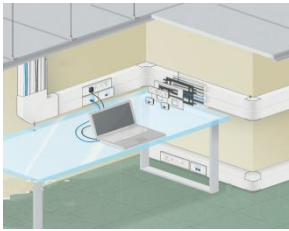
Features - External Angle

- Easy Clipping
- External angle adjustable from 60 – 120 Degree



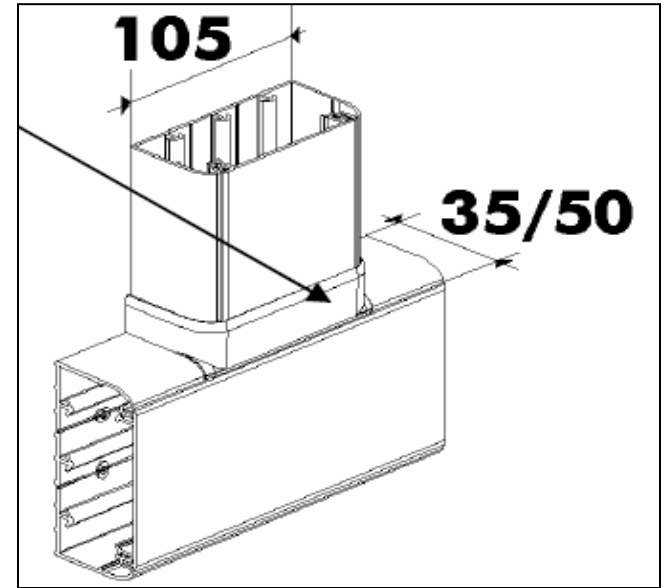
- Partition junction for angles
- The external angles ensure the continuity of the flexible cover on the angles

Perimeter Solution



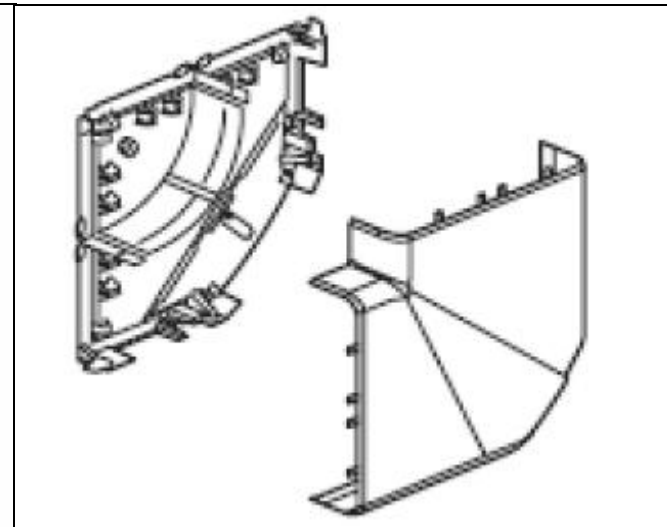
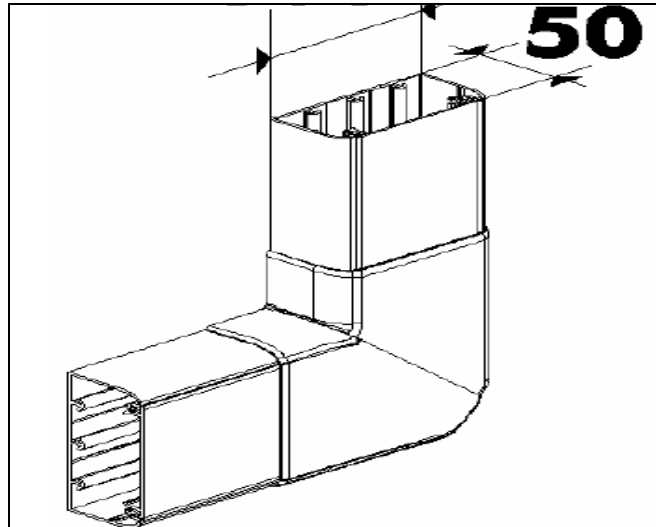
Accessories

Flat Junction

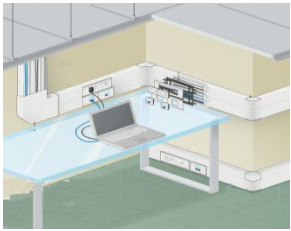


Flat Angle

- Flat angles are variable (85° to 95°)
- Flat angles are delivered with 2 elements

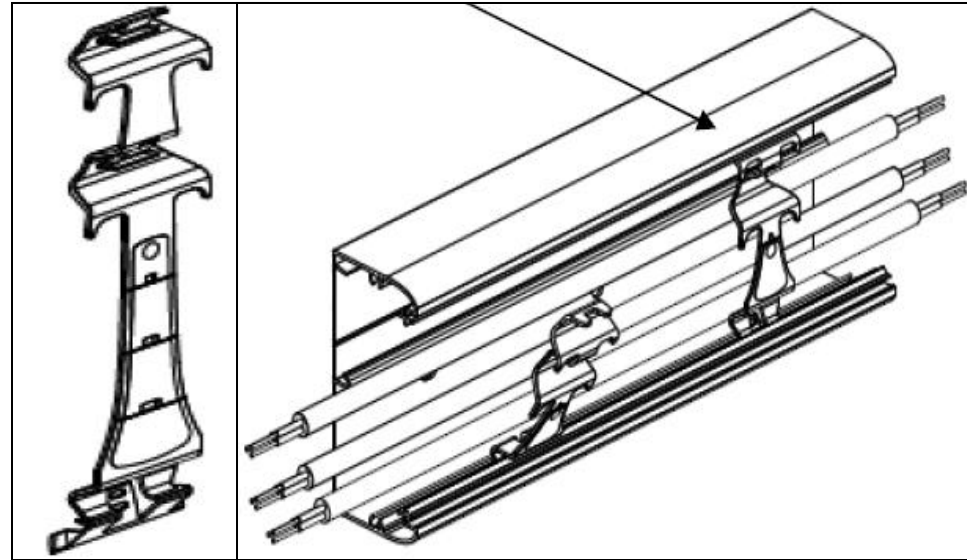


Perimeter Solution

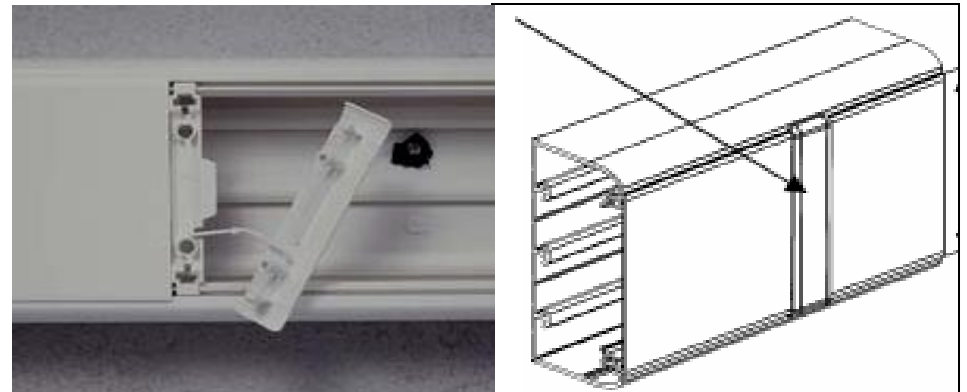


Accessories

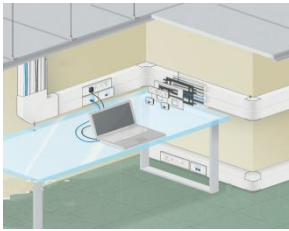
Clips for Cable Retaining



Cover Joint

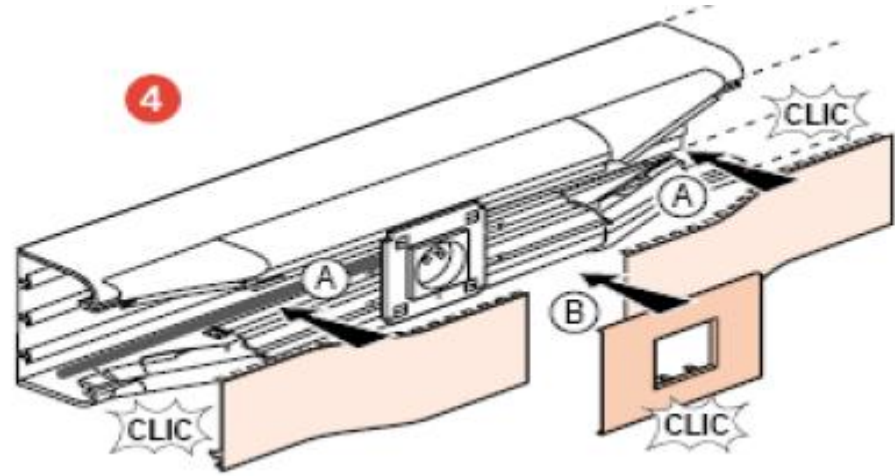


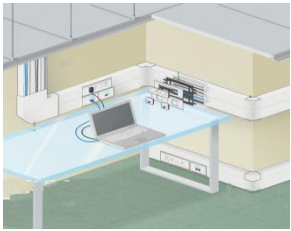
Perimeter Solution



Accessories

Capacity Change



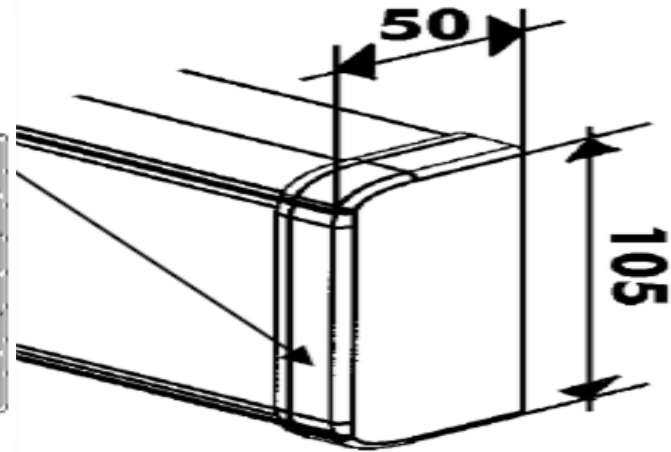
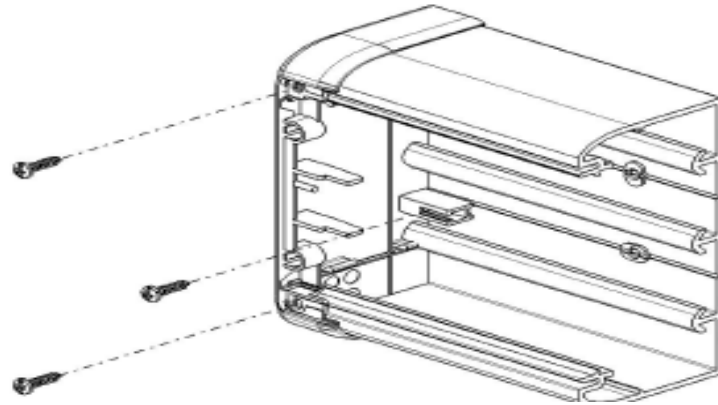


Perimeter Solution

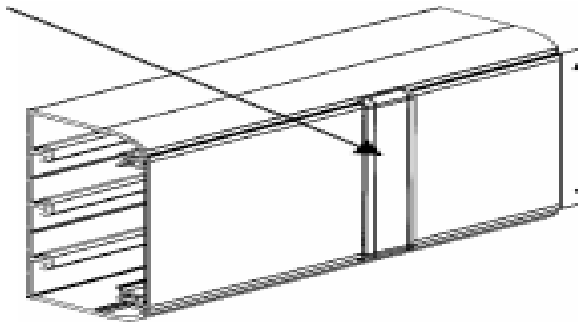
Accessories

End Caps

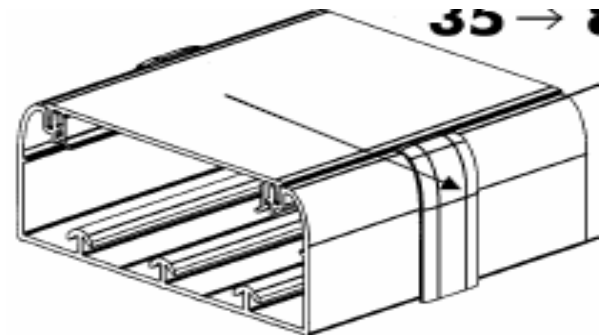
- The End Cap is delivered with a screw and a part of Closing



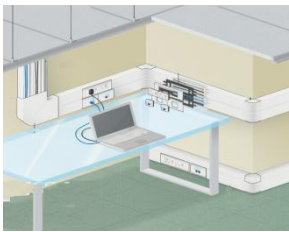
Body Joint



Cover Joint



Perimeter Solution



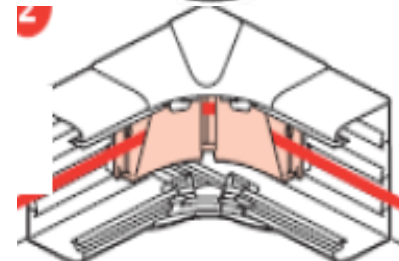
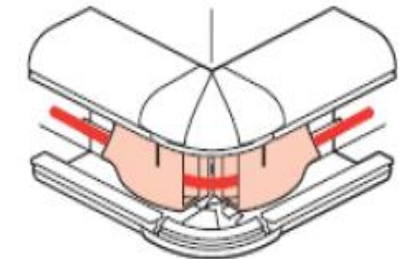
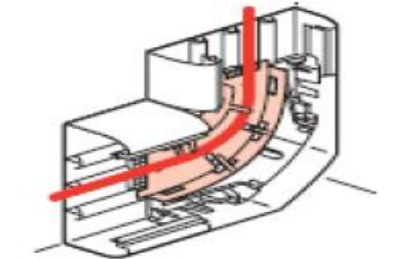
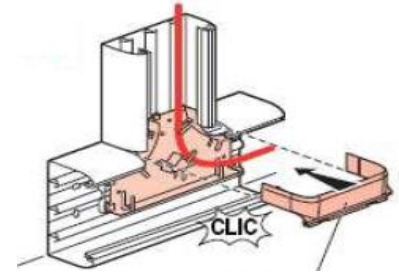
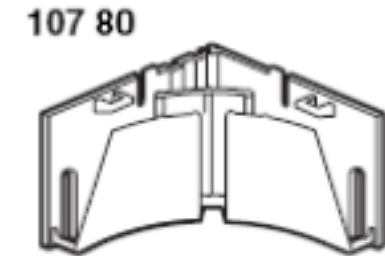
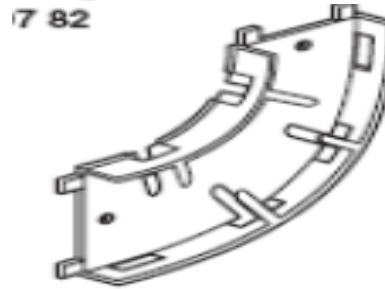
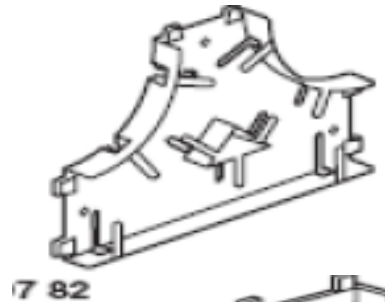
VDI - Accessories

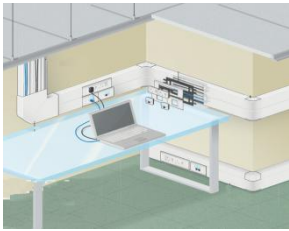
VDI accessories compatible with bending radius
- EIA/TIA standard



VDI accessories for

- Flat Junction
- Flat Angle
- External Angle
- Internal Angle





CABLE MANAGEMENT SYSTEMS

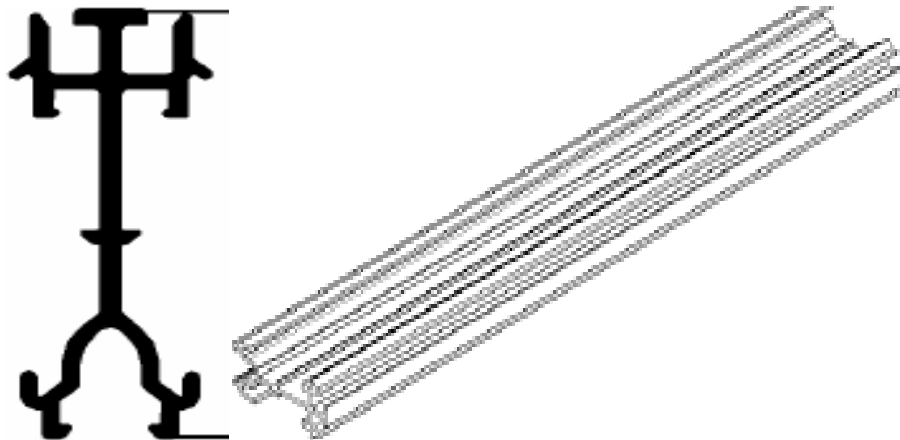
Perimeter Solution



Accessories

Separation Partition

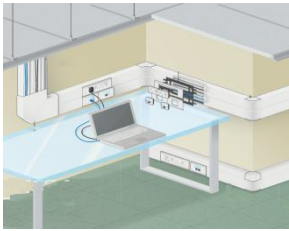
- PVC Partition Separation



Clip On Partition

- PVC Clip On Partition
- Aluminium Clip On Partition

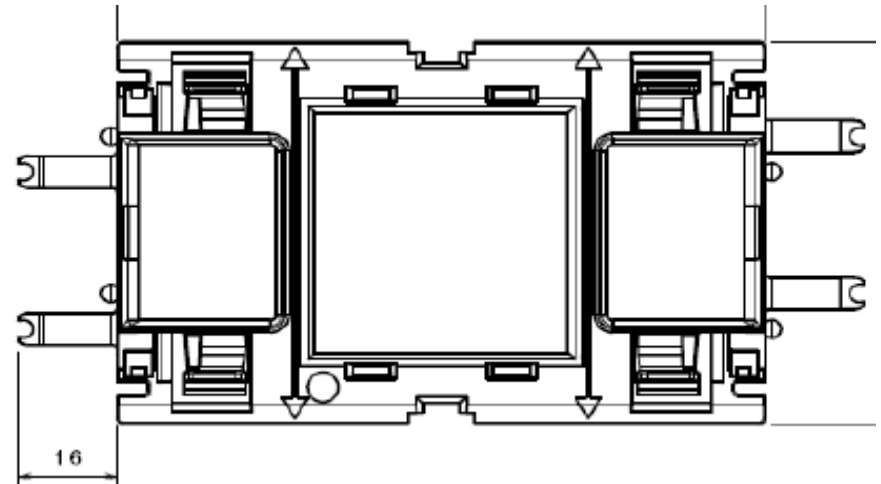
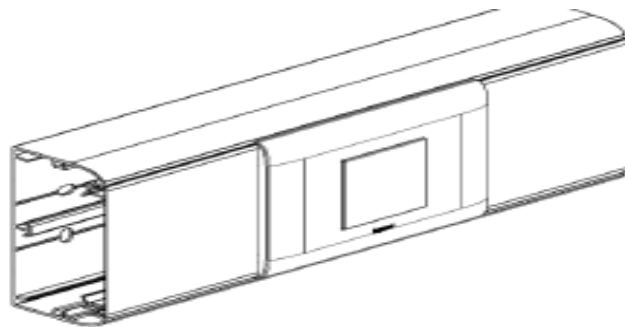
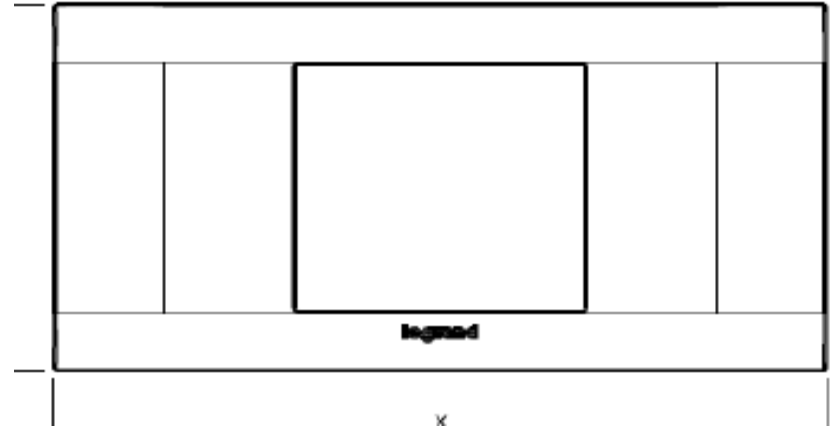
Perimeter Solution



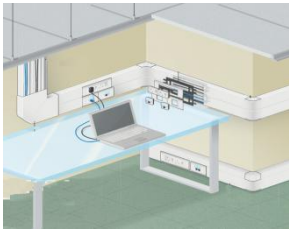
Accessories

Arteor Plates

- 1/2/3/4/6/8 Modules



Perimeter Solution



To Conclude

Installation

- -Fast / Easy / Convenient Installation because of flexible Cover, variable angle, pre drilled back body
- [DLP Wall Trunking Video](#)

Enhanced Aesthetic

- -Round Corners / Integrated finishing Accessory
- - [Installation Video](#)





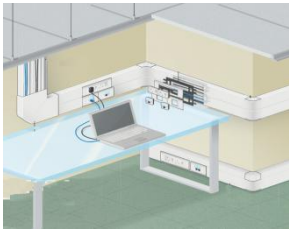
CABLE MANAGEMENT SYSTEMS

Trunking

DLP Mini Trunking



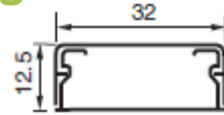
Perimeter Solution



Range

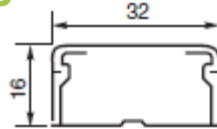
DLP Mini Trunking

■ 32 x 12.5 mm



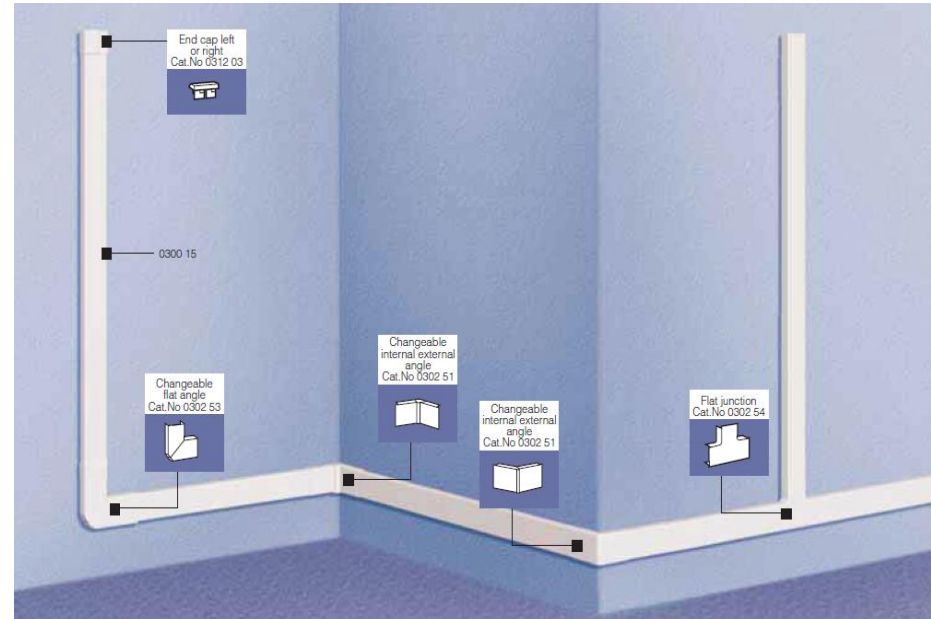
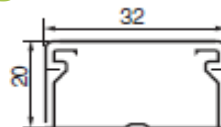
DLP Mini Trunking

■ 32 x 12.5 mm

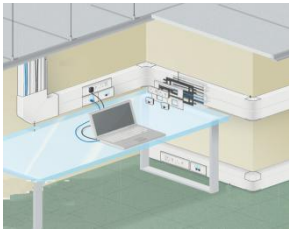


DLP Mini Trunking

■ 32 x 12.5 mm



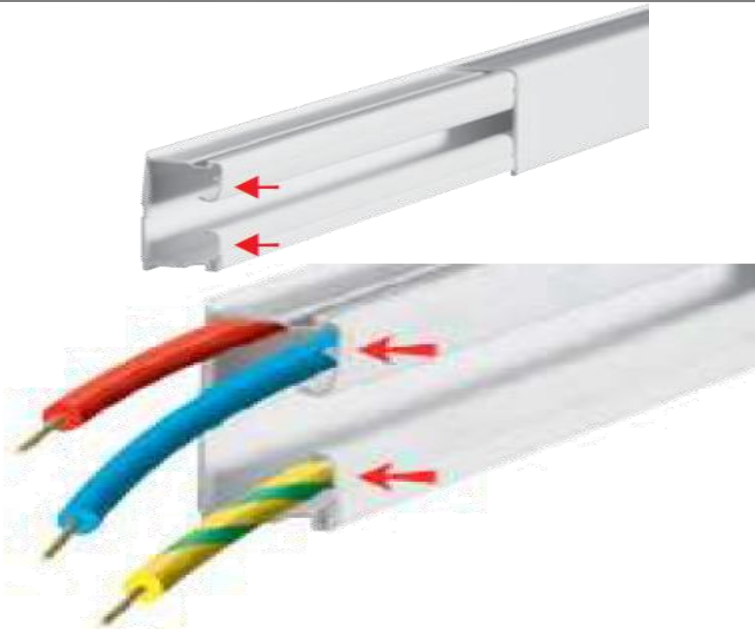
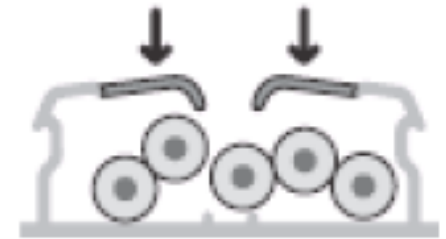
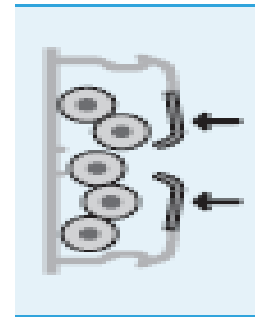
Perimeter Solution



Features

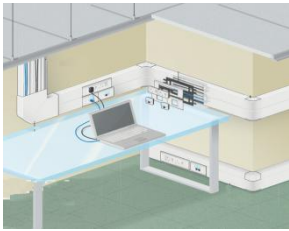
Speed of Installation

- - Cable holding is integrated with the trunking
- Easy Conductors position
- Quick Cover Fitting



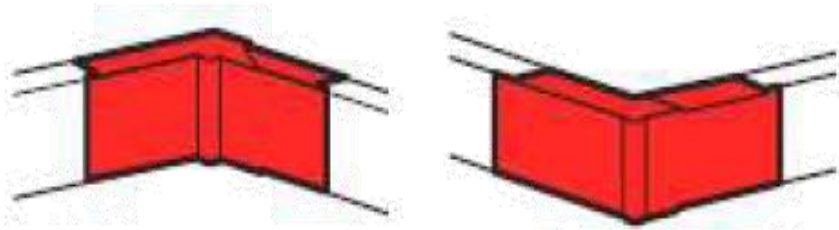
Cable Grip

- It makes the installation easier and faster by containing all the wires inside the trunking body before the cover is clipped
- During the installation the conductors stay in compartment of mini trunking thanks to cable grip membranes



Perimeter Solution

Features – White RAL 9003

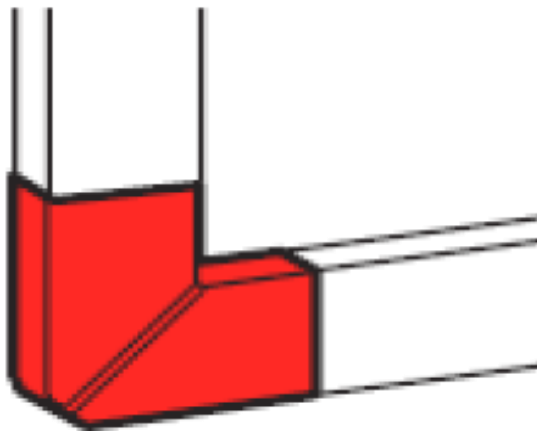


Internal/ External Angle

- 60 Deg to 120 Deg

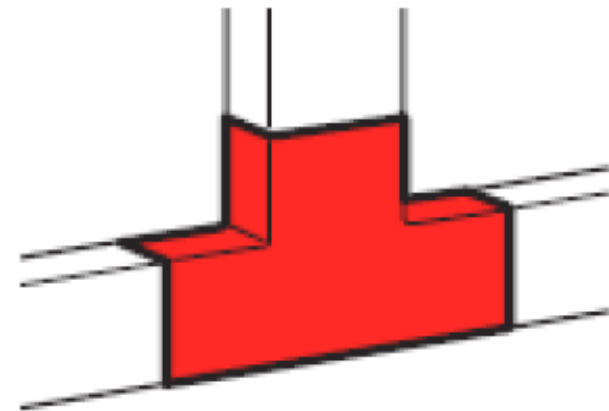


End Cap

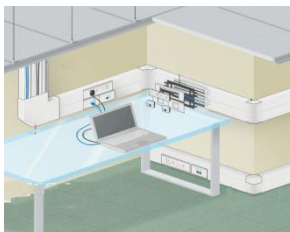


Flat Angle

- 85 Deg to 95 Deg



Flat T Junction



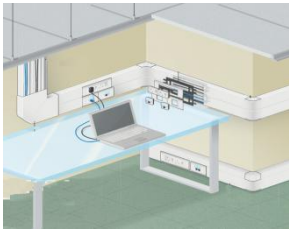
CABLE MANAGEMENT SYSTEMS

Trunking

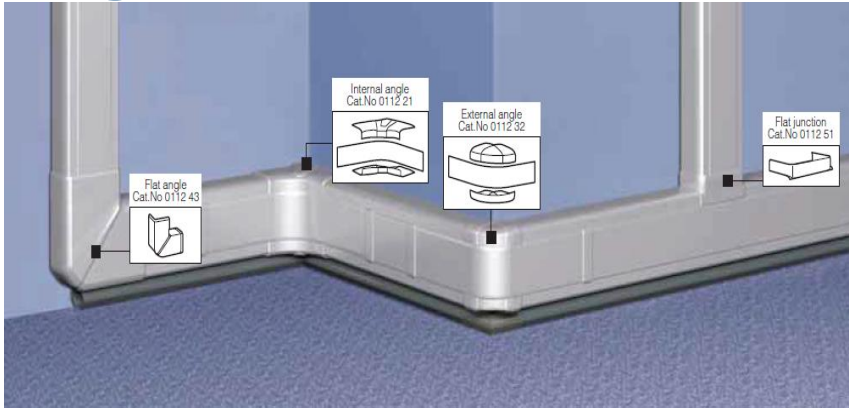
DLP U-PVC



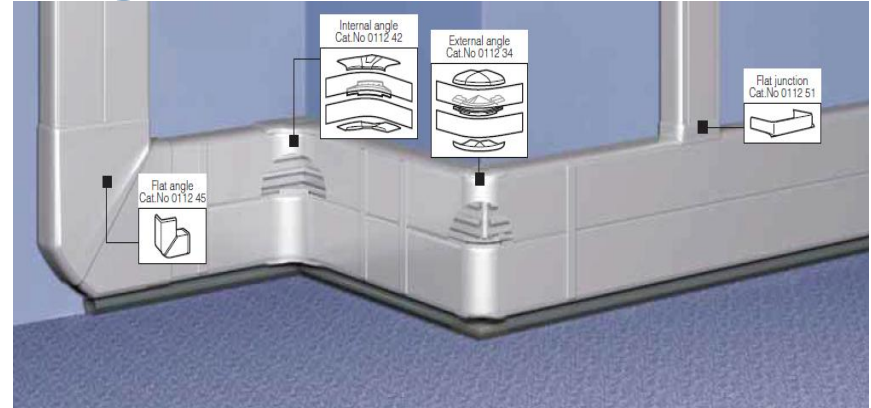
Perimeter Solution



Range – 105 x 50

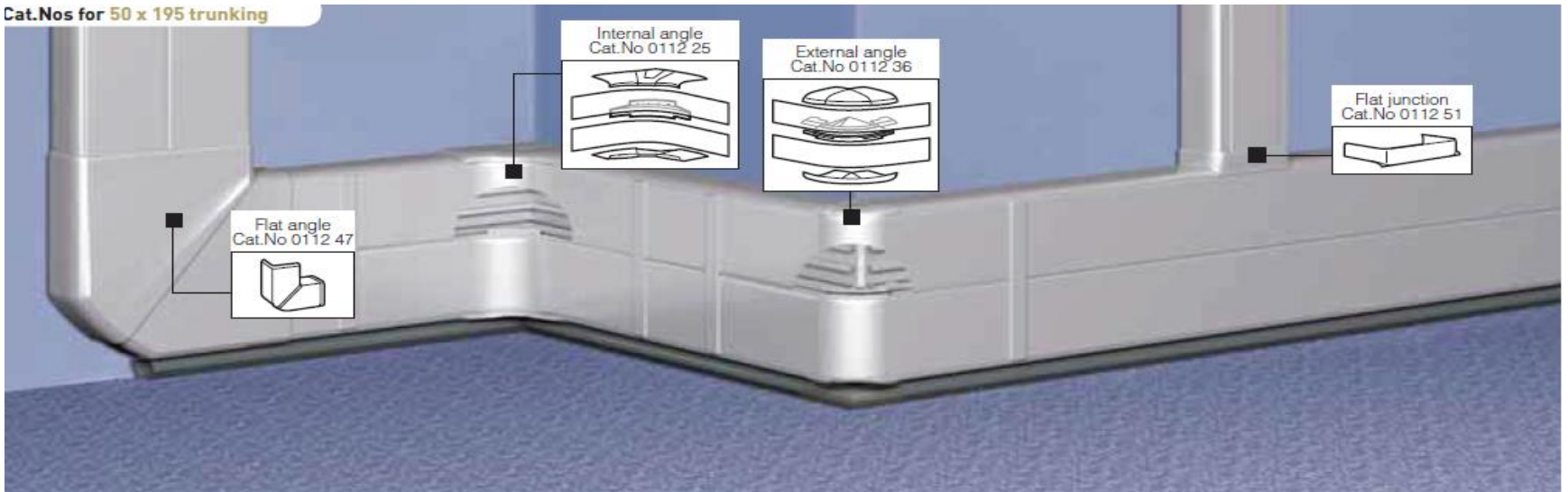


Range – 150 x 50

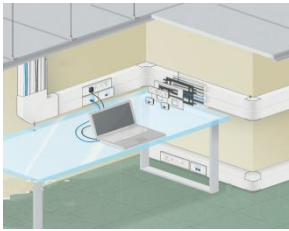


Range – 195 x 50

Cat.Nos for 50 x 195 trunking



Perimeter Solution



Range - Features

DLP Aluminium Trunking

■ 105 x 50

DLP Aluminium Trunking

■ 150 x 50

DLP Aluminium Trunking

■ 195 x 50

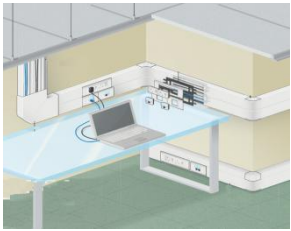
- Natural Anodized Aluminium finish for Body and Cover

- Wide Range of Accessories like Cover Joint, Body Joint, End Cap, Internal Angle, External Angle, Flat Angle, Flat Junction etc

- Delivered in 2 Meter length without Cover

- 5 Covers – 65mm / 85mm / 130 mm / 180 mm

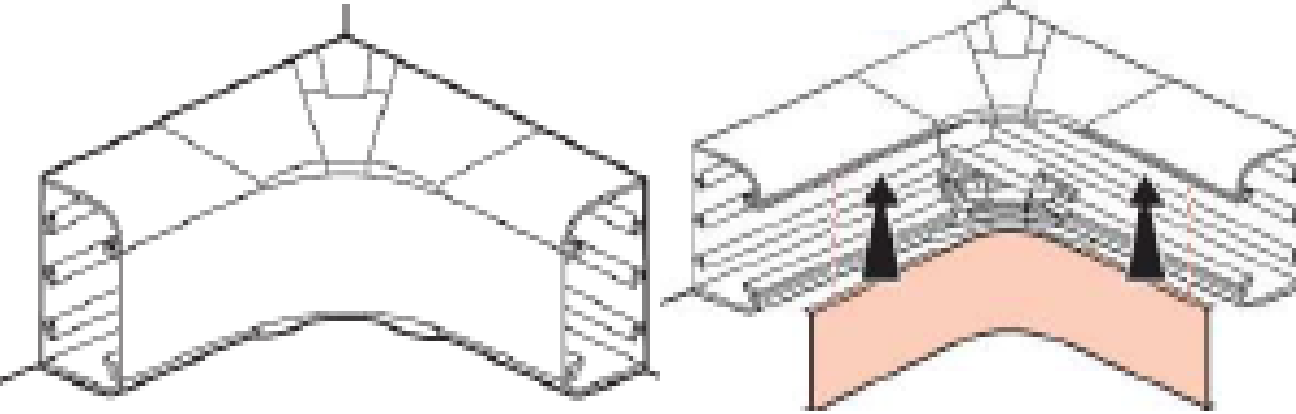
Perimeter Solution



Accessories

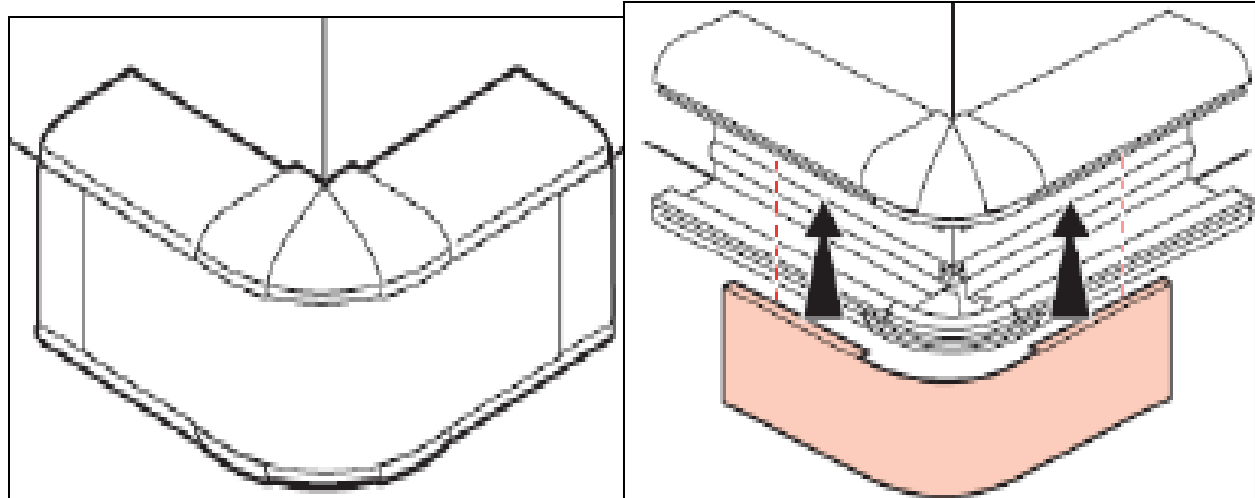
Variable Internal Angle

- 89 to 94 Degrees
- Grey Aluminum Color
- Aluminium Curved Cover supplied along with angle

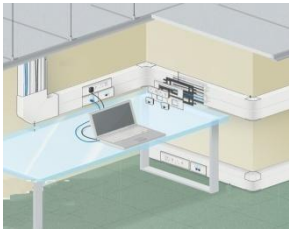


Variable External Angle

- 89 to 94 Degrees
- Grey Aluminum Color
- Aluminium Curved Cover supplied along with angle



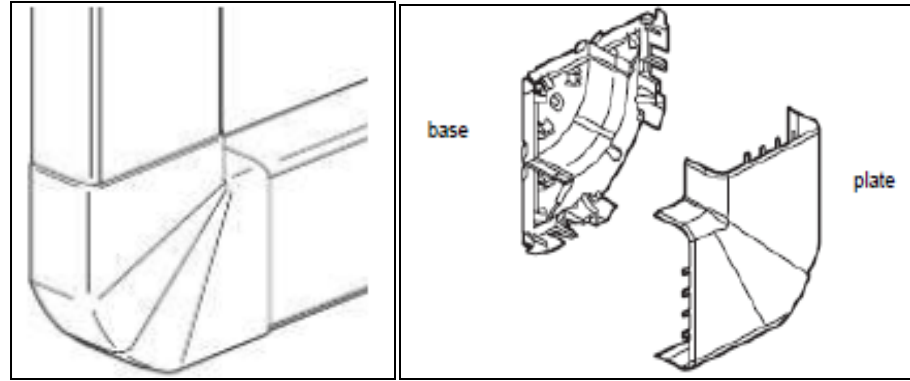
Perimeter Solution



Accessories

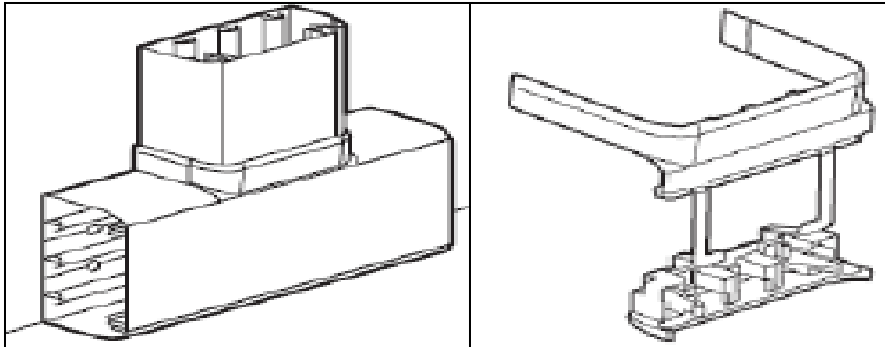
Flat Angle

- Of 90 Deg +/- 2.5 Deg
- Grey Aluminum Color



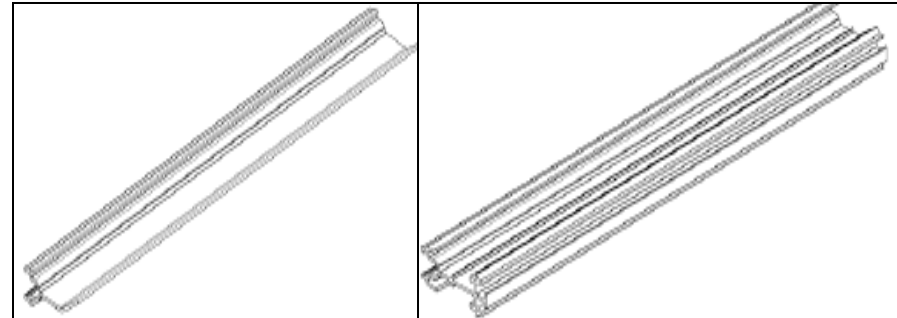
Flat Junction

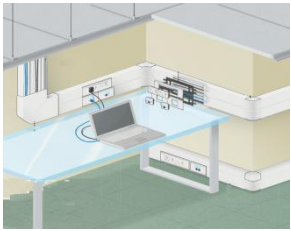
- - Grey Aluminum Color



Partition Separation

- - Grey Aluminum Color





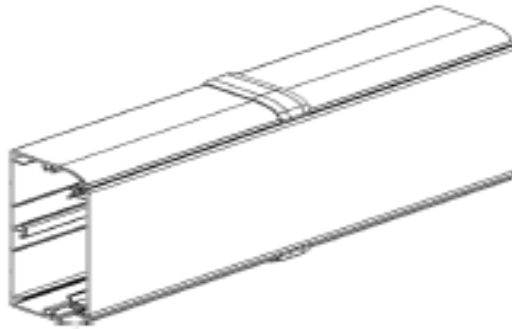
CABLE MANAGEMENT SYSTEMS



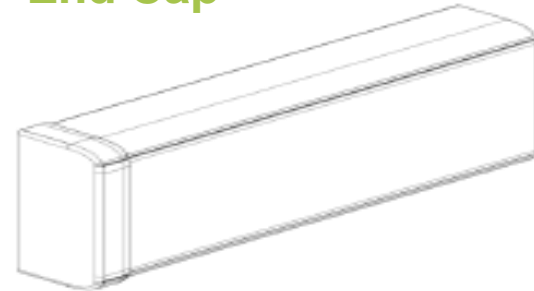
Perimeter Solution

Other Accessories-
Painted in Grey Aluminum

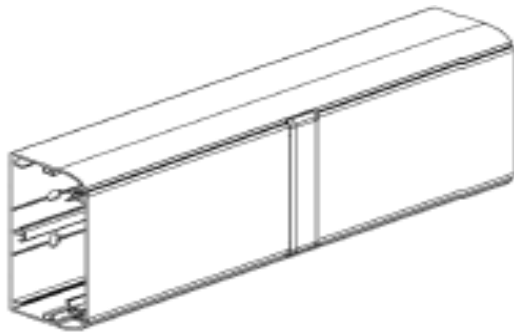
Body Joint



End Cap



Cover Joint



Arteor Support
(2/3/4/6 Module)

